

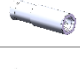



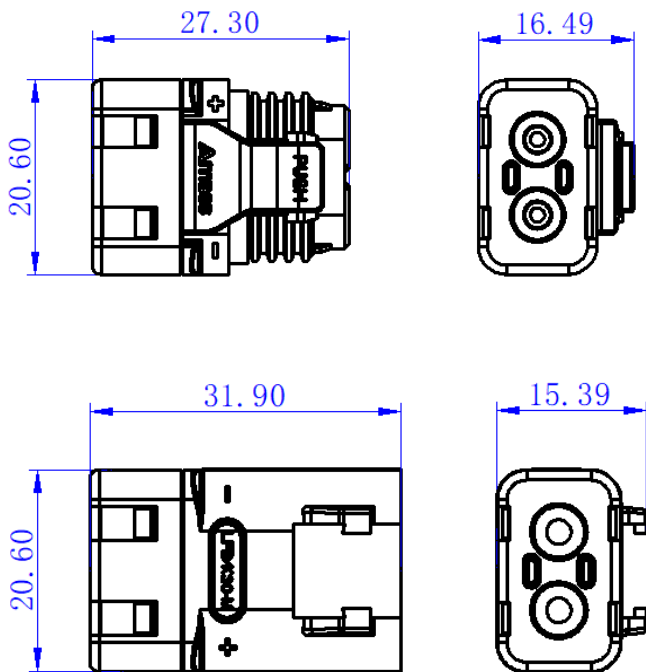
一、Product Model : LFB30

Product Model	Product Name	Picture
97019-F.O	LFB30-F Orange plastic shell	
97019-M.O	LFB30-M Orange plastic shell	
91022-F.S	LC30-F Copper Components	
99030-M.S	LC30-M Copper Components	

二、Product Application Description

LFB series products are waterproof LC series products, which have all the advantages of LC series products. The product has a better waterproof effect, and the waterproof ability can reach IP67, which can adapt to the waterproof needs of most machine products.

三、Product Stack Diagram



四、Technical Parameter

Electric Characteristic	
Current Rating	20A MAX (14 AWG $\Delta$ ≤30K )
	25A MAX (12 AWG $\Delta$ ≤30K )
	25A MAX (14 AWG $\Delta$ ≤40K )
	30A MAX (12 AWG $\Delta$ ≤40K )
	30A MAX (14 AWG $\Delta$ ≤55K )
	35A MAX (12 AWG $\Delta$ ≤55K )
Withstanding Voltage	600V DC
Insulation Resistance	≥2000M $\Omega$
Contact Resistance	≤0.6m $\Omega$
Mechanical Characteristic	
Plug Life	100 Times
Finished Product Insertion Force	≤5.0kgf
Finished product pulling force (with buckle)	≥8.0kgf
Salt Spray	48h
Connection Type	Riveting
Working Environment	
Protection Level	IP67
Applicable wire insulation diameter range	Silicone Wire 3.5mm~5.0mm
Work Temperature	-20°C to 120°C
Materials Flame Level	UL94 V-0 (Wall thickness 0.8mm)
Material	
Plastic Housing	PBT, Color: Orange
Terminal	Red copper, Plating: Silvering

五、Transportation And Storage Condition

- Products should be stored in a clean, dry environment, no acid, alkali or other corrosion around the warehouse Sexual gas.
- The storage temperature of the product is -10°C ~ 40°C, and the relative humidity is less than 80%.
- The silver-plated parts of the product should be stored away from light, sealed and sealed, and long-term air exposure or contact with sulfide should be prohibited, and bare hands should be avoided.
- The product can be used for conventional transportation, transportation should avoid collision, violent vibration, rain and snow attack, flooding and so on.



During connector using, do not exceed the rated current and voltage



Please confirm the environment



Use carefully



Do not use when external force is applied to the connector

Document maker:

Document checker:

Document quality:

Document approver: